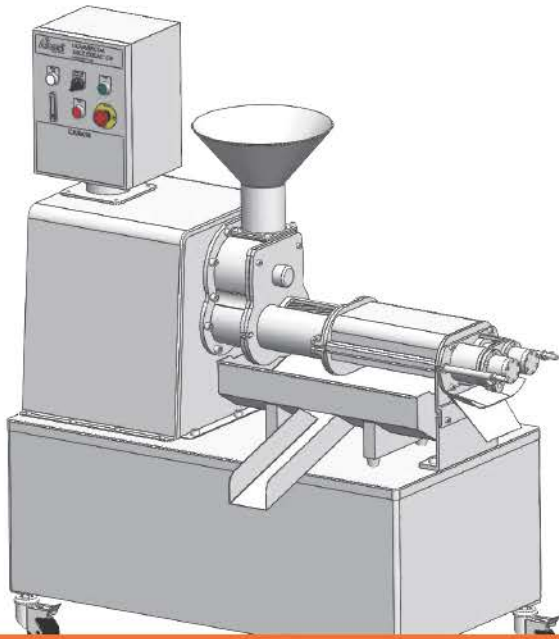


ANGELJUICER SLU <https://angeljuicer.store>



Angel



Model : Angel 140K-GS

User's guide of Angel Commercial Juicer

- Please read the instructions carefully to use the product properly and protect against any risk.
- Please keep the user's guide where it is easily accessible.

Angel Juicer Synonymous with
A Health Guardian
We will be your reliable
partner for success.



CONTENTS

01

Before Use	Precautions for safety	P.03
		Parts and Features	P.05

02

Operation, Use	Assembly Instructions	P.07
		Operation	P.08
		Disassembly	P.09
		Cleaning	P.10

03

Before requesting for repair service	Please check before requesting for repair	P.11
--------------------------------------	-------	---	-------	------

04

About the product	Detailed specification of product	P.12
-------------------	-------	-----------------------------------	-------	------

Caution may be classified into 'danger', 'warning', 'caution'

Precautions of Safety



Danger



Warning



Caution



Do not plug the power cord or operate the switch with wet hands.
It may cause fire or electric shock.



Avoid contact with the inner part of control box.
It may cause electric shock or damage to the product.



Make certain that the power cord is plugged into the outlet correctly.
It may cause electric shock or damage to the product.



NOT FOR USE BY CHILDREN! Keep out of the reach of children.
It may cause injury or damage should children touches inadvertently or tip over.



Do not let the juicer idle for over 5 seconds.
It may cause damage to product.



Do not use the product should power cord or cable is damaged or outlet gets loose.
It may cause fire, electric shock, injury.



Do not use with the unauthorized modification or disassembly.
It may cause fire, electric shock, damage.



Do not put fingers into Hopper.
It may cause injury or accident.



Do not let any foreign materials, e.g. metal and stone, into Hopper.
It may cause a fatal error.



Take caution not to let necktie, long necklace and scarf get into the running machine.
It may cause injury, accident or damage.



Place the product on secured, flat surface.
It may cause injury or accident, damage.

Caution may be classified into 'danger', 'warning', 'caution'

Precautions of Safety



Danger



Warning



Caution



Do not apply too much force or heat to the product.
It may cause electric shock, destruction, fire.



Stop operation immediately should the unit produces unusual sound, overheating, smoke and contact customer service.
It may cause electric shock, destruction, fire.



Do not move the main body or disassemble or mount the parts while the juicer is in operation.
It may cause injury or failure. Make sure the product is stopped and power cord is unplugged in the first place.



When putting materials into hopper, do not use any objects(chopstick, spoon, hard object etc) other than wood stick.
It may cause injury or damage.



Unplug from outlet when not in use.
It may cause injury, electric shock or fire.



Do not put the main body (motor) in water or any other liquid.
Be careful not to let liquid or other foreign materials into the switch.



Do not implement any misbehavior by bending forcibly, tying or placing power cord near hot material.
The destruction of power cord may cause fire, electric shock.



Avoid direct sunlight and high humidity while storing the product.
After Juicing or extracting, do not clean with water into hopper.

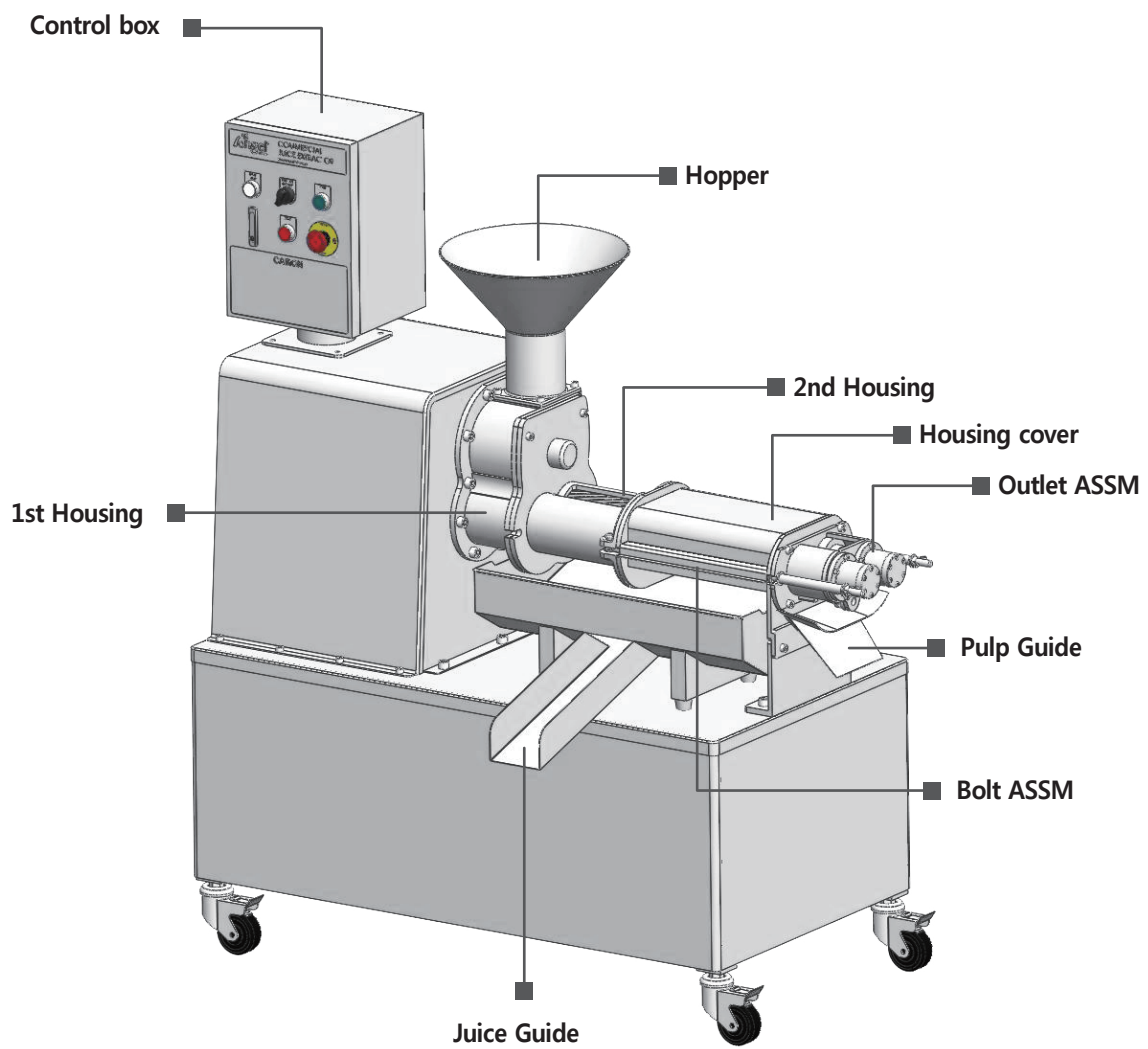


Switch to OFF position after each use and be sure the motor stops completely before disassembling and assembling.
It may cause injury.

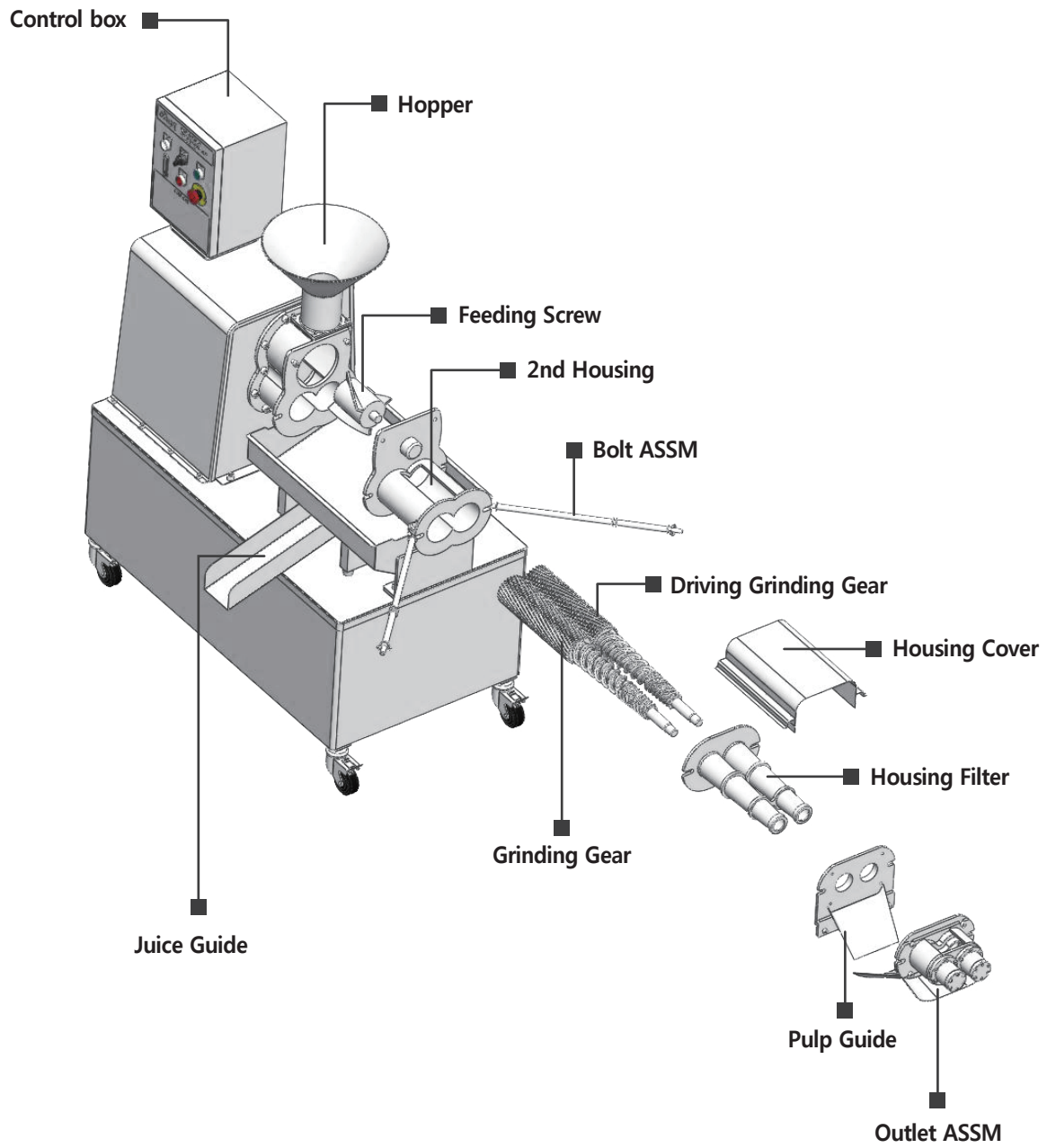


Be sure to install the grounding cable.
It will prevent electrical shock by inducing the current into ground in case of short circuit.

● Name of Parts



● Feature(Disassembly)



How to assemble

Please read instructions thoroughly before assembling the product.

- 1 Push the main shaft of crushing gear slowly into the right hole of housing, and assemble by turning the main shaft crushing gear side to side until it fits to the feeding gear groove and by pushing it to the end.
- 2 Assemble the crushing gear of the secondary shaft to the left hole of housing.
- 3 Assemble by checking the juice extraction filter for up and down direction.
(Triangular hole is upward at the flange)
- 4 Assemble the juice guide to housing filter ring precisely.
- 5 Assemble the outlet.
Tip) Check if the control panel for residues protrudes above the standard position, because it cannot be closely attached with the juice guide.
- 6 Insert the union bolt into U groove precisely, and tighten the fly-nuts.
Tip) At this time, fly-nuts must be tightened by holding the outlet and raising it to the above
- 7 Assemble housing filter cover.

How to use

Please read instructions thoroughly before assembling the product.

- 1 Prepare materials for juice extraction by washing and cutting beforehand.
- 2 Plug the power and check the connection of the ground wire.
- 3 Turn a circuit breaker handle to ON position.
- 4 Turn a control switch to On position.
- 5 Press START button to operate and insert materials right away.
(Please do not leave the unit in idling state for more than 5 seconds.)
- 6 If stems or leaf vegetables are inserted, the crushing gear will suck them.
- 7 Wooden pusher offered from manufacture is recommended In case user needs to push in the ingredients .
- 8 Cut materials like bulbs into a proper size, put them into the hopper and press them with a pusher.
(Absolutely use a wooden pusher provided from our company, and do not use metal bar, spoon, chopsticks, or knife.)
- 9 If inserted materials are in excess of discharged amount, the motor shall stop.
At this time, operate REVERSE for a while and then resume START.
- 10 If the juice housing filter hole experiences stoppage from a continuous work, the juice extraction efficiency may decrease to cause the damage.
You must replace it with the spare juice extraction filter to operate.
- 11 After the insertion of materials, operate the unit for 1 minute in idling state and STOP.

How to disassemble

Please read instructions thoroughly before assembling the product.

- 1 After the juice extraction, operate the unit for one minute in idling state, push STOP button to turn the operation switch OFF.
- 2 Separate the housing filter cover.
- 3 Loosen fly-nuts on both sides of outlet, and push aside union bolts to both sides.
- 4 Separate the outlet by pulling.
- 5 Separate the juice guide by pulling.
- 6 Separate the juice extraction filter by pulling.
At this time, if the housing filter is not pulled out, turn the operation switch ON, press the START button, and rotate the crushing gear for 2-3 seconds. And if the housing filter is pulled out,
- 7 Immediately press STOP button, and turn the operation switch OFF for safety, and separate the housing filter completely.
- 8 Separate the grinding gear by pulling.
- 9 Loosen 4 each of bolt Assm, and separate the 2nd housing by pulling.
- 10 Separate the feeding gears one by one by pulling.

Cleaning

Please read instructions thoroughly before assembling the product.

※ The juice extractor must be washed for every use.

- 1 Insides of hopper and 1st housing must be washed scrubbing with a brush and spreading water through a hose.
- 2 2nd housing able to be washed scrubbing with a brush and cleaning knife.
- 3 Lay down the feeding gear on the wooden panel or plastic panel to wash with a brush.
(crushing gear must not be scratched)
- 4 The housing filter must be washed scrubbing with a brush in the flowing water after spraying water with a high pressure spray or using a knife to scrape out fibers stuck in the holes.
(After washing, check any stoppage in the filter holes by exposing it to the bright light for a precise washing. If the filter holes are stopped excessively, it will be the cause of lower juice extraction efficiency and damage on the filter.)
- 5 Wash the outlet by spraying with water.
(Do not submerge it in the water or simmer it in the hot water. It will cause the damage on the bearing of the rotational shaft)
- 6 After washing, each part must be dried completely to prevent any stain.
- 7 Never spray water on the motor cover of the unit or on the control box.

● Please check before requesting for repair service

Please check before requesting for repair service

Contact customer service for A/S and other inquiry.

Please check model or number for requesting A/S or spare parts.

Q. Machine does not operate.

A. – Check if the power cord has been plugged in correctly.

– Check if the product has been assembled in sequence of assembling method. (refer to p.7)

Q. Machine stops while it is under normal operation.

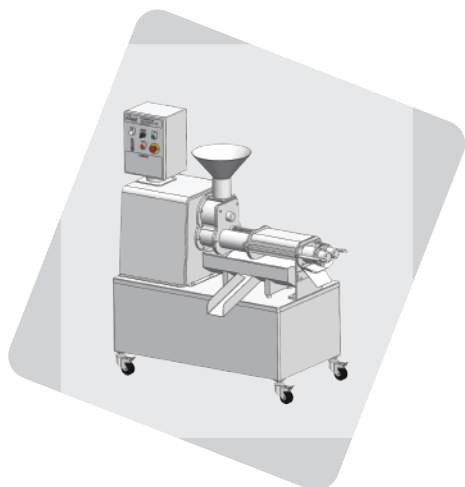
A. – Check if there are too many materials put in at once.

– Put in materials slowly.

– Try the reverse button for a while then try operating again by pressing START.

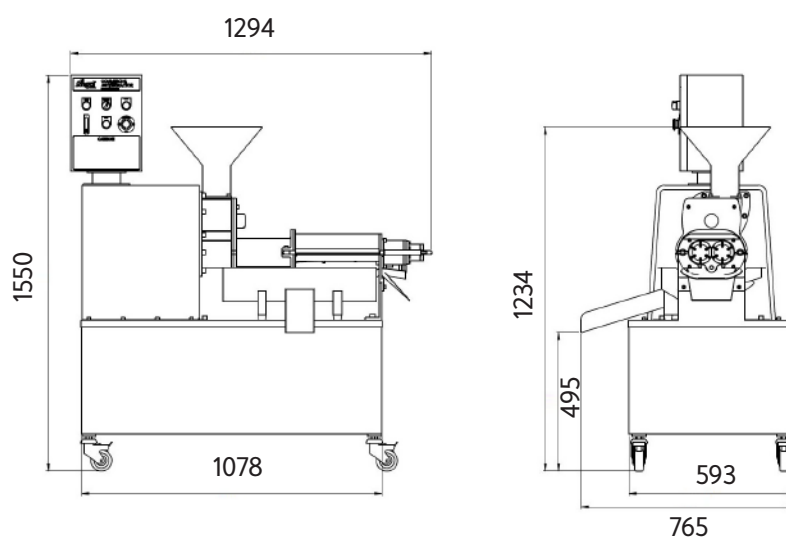
※ Should any problem cannot be solved as the above mentioned method, please contact the manufacturer.

Specifications



- Angel Commercial Juicer for commercial use is suitable for businesses, e.g. hotel kitchen, college food laboratory, fruit juice store, healthy juice store.

Model	AGC-140K-CGS
Dimension	W1294 x D593 x H1550(mm)
Main material	Stainless steel 304(18-8)
Type	Feeding Screw/ TWIN GEAR MULTI EXTRACTING TYPE
Capacity	140Kg/hr(Input/Carrot base)
Motor	Three phase 2.2KW(3HP)
Fuse	AC380V 60Hz
TwinGear Speed	85RPM
Hopper Dimension	322 x 52 x 140(mm)



- Should any defect occurs from the product, it can be warranted for 1 year.
(However, the cost for repairing may be incurred due to the consumer's misuse)

“Designed for the best Hygiene and Durability
thanks to the Know-How accumulated for
the last 30 years”

[ALL 304 18-8 stainless]



Features of Angel Juicer for business use

Extraction Rate 85% Grinding and extraction Rate, minimize nutrition loss, cost saving.	Durable Highly hardened stainless gears, durable filters and sturdy stainless steel exterior design	Convenient Super easy to clean and maintain	Economical efficiency Minimized loss of fruit and vegetable, special motor use, energy saving and its durability.	Hygiene Super easy to disassemble and clean for using stainless Twin Gear squeezing filters.
---	---	---	---	--

The angel commercial juicer extraction rate

* Experiment done with Mini (Hotel Use) 20K and corresponding model from other company based on 10 hours of work.

	Method	Input Rate	Extraction Rate	Total Number of Packets	Revenue (1USD/Packet)
	Extract ▶ Pack	20kg of grapes per hour	91~93%	178ea	\$178
Other Juicers	Chop and Grind with Mixer ▶ Put in bags ▶ Squeeze with Centrifugal or ▶ Pack	20kg of grapes per hour	50~57%	104ea	\$104

You can make more profit with the angel juicer in comparison with other juicers under same condition.
 $\$178 - \$104 = \$74$

The money you can save in a day (10 hours) ($\$74 \times 10$ hours)

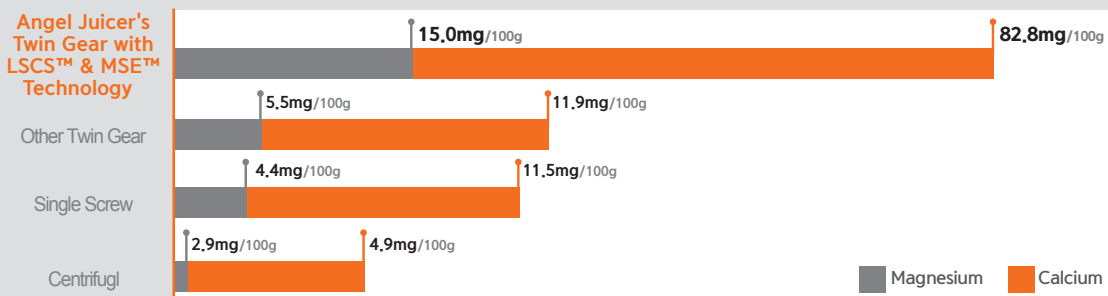
1 Day : \$740

MONTH : \$22,200

Nutrition analysis graph on Juice (Angelica 700ml)

Angel juicer can produce up to 5 times more magnesium and 17 times more calcium than other juicers.

* KAFRI July 22nd 2009
 (Korea Advanced Food Research Institute)





Angel[®] Juicer
SINCE 1982

Angel 140K ; G CE

ANGELJUICER SLU <https://angeljuicer.store>

