

Angel

Compact(20K)
Model : Angel 20K

User's guide of Angel Commercial Juicer

- Please read the instructions carefully to use the product properly and protect against any risk.
- Please keep the user's guide where it is easily accessible.



CONTENTS

01

Before Use	Precautions for safety	P.03
		Parts and Features	P.05

02

Operation, Use	Assembly Instructions	P.07
		Operation	P.08
		Disassembly	P.09
		Cleaning	P.10

03

Before requesting for repair service	Please check before requesting for repair	P.11
--------------------------------------	-------	---	-------	------

04

About the product	Detailed specification of product	P.12
-------------------	-------	-----------------------------------	-------	------

Caution may be classified into 'danger', 'warning', 'caution'.

Precautions of Safety



Danger



Warning



Caution



Do not plug the power cord or operate the switch with wet hands.
It may cause fire or electric shock.



Avoid contact with the inner part of control box.
It may cause electric shock or damage to the product.



Make certain that the power cord is plugged into the outlet correctly.
It may cause electric shock or damage to the product.



NOT FOR USE BY CHILDREN! Keep out of the reach of children.
It may cause injury or damage should children touches inadvertently or tip over.



Do not let the juicer idle for over 5 seconds.
It may cause damage to product.



Do not use the product should power cord or cable is damaged or outlet gets loose.
It may cause fire, electric shock, injury.



Do not use with the unauthorized modification or disassembly.
It may cause fire, electric shock, damage.



Do not put fingers into Hopper.
It may cause injury or accident.



Do not let any foreign materials, e.g. metal and stone, into Hopper.
It may cause a fatal error.



Take caution not to let necktie, long necklace and scarf get into the running machine.
It may cause injury, accident or damage.



Place the product on secured, flat surface.
It may cause injury or accident, damage.

Caution may be classified into 'danger', 'warning', 'caution'.

Precautions of Safety



Danger



Warning



Caution



Do not apply too much force or heat to the product.
It may cause electric shock, destruction, fire.



Stop operation immediately should the unit produces unusual sound, overheating, smoke and contact customer service.
It may cause electric shock, destruction, fire.



Do not move the main body or disassemble or mount the parts while the juicer is in operation.
It may cause injury or failure. Make sure the product is stopped and power cord is unplugged in the first place.



When putting materials into hopper, do not use any objects(chopstick, spoon, hard object etc) other than wood stick.
It may cause injury or damage.



Unplug from outlet when not in use.
It may cause injury, electric shock or fire.



Do not put the main body (motor) in water or any other liquid.
Be careful not to let liquid or other foreign materials into the switch.



Do not implement any misbehavior by bending forcibly, tying or placing power cord near hot material.
The destruction of power cord may cause fire, electric shock.



Avoid direct sunlight and high humidity while storing the product.
After Juicing or extracting, do not clean with water into hopper.

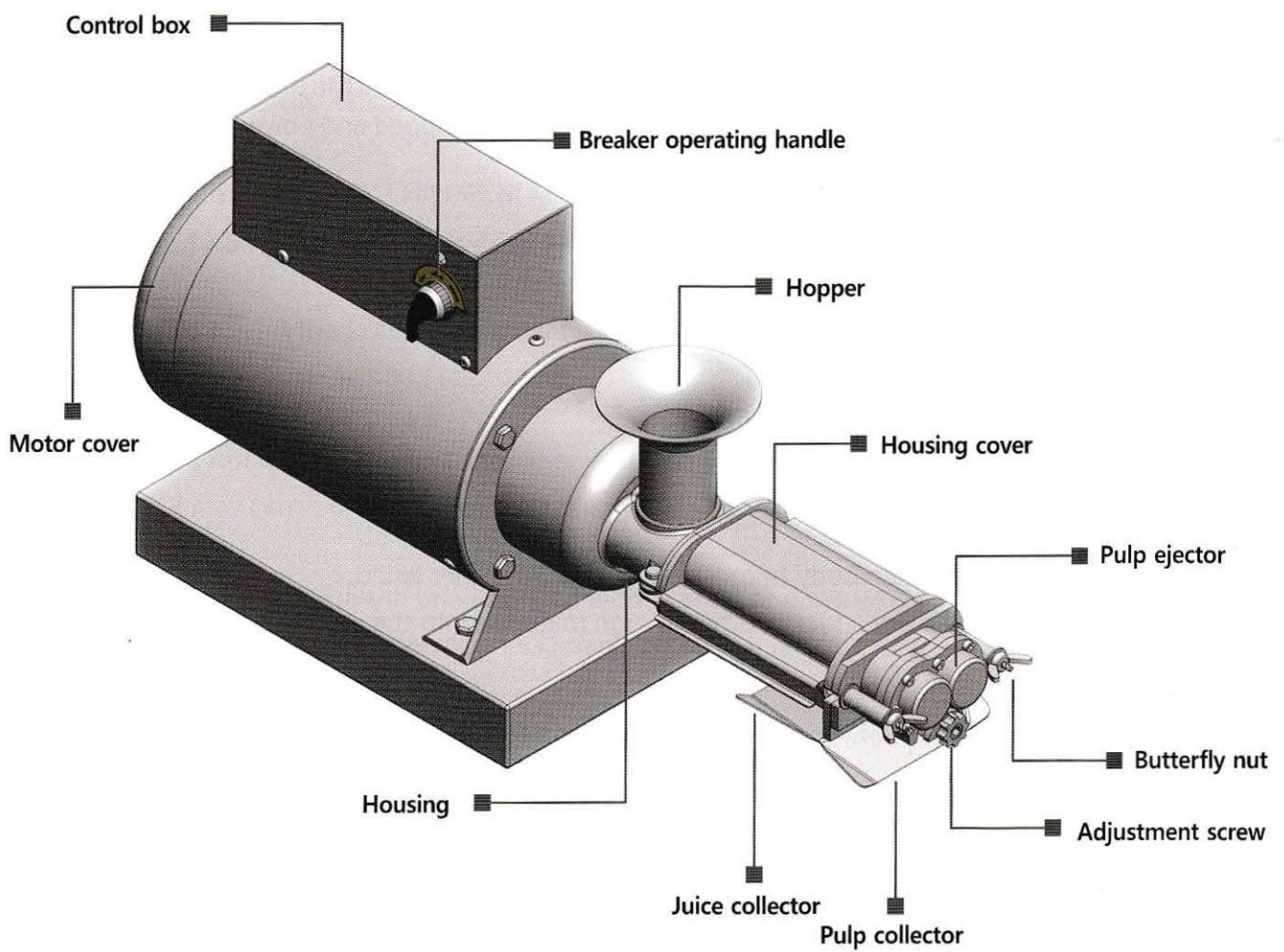


Switch to OFF position after each use and be sure the motor stops completely before disassembling and assembling.
It may cause injury.

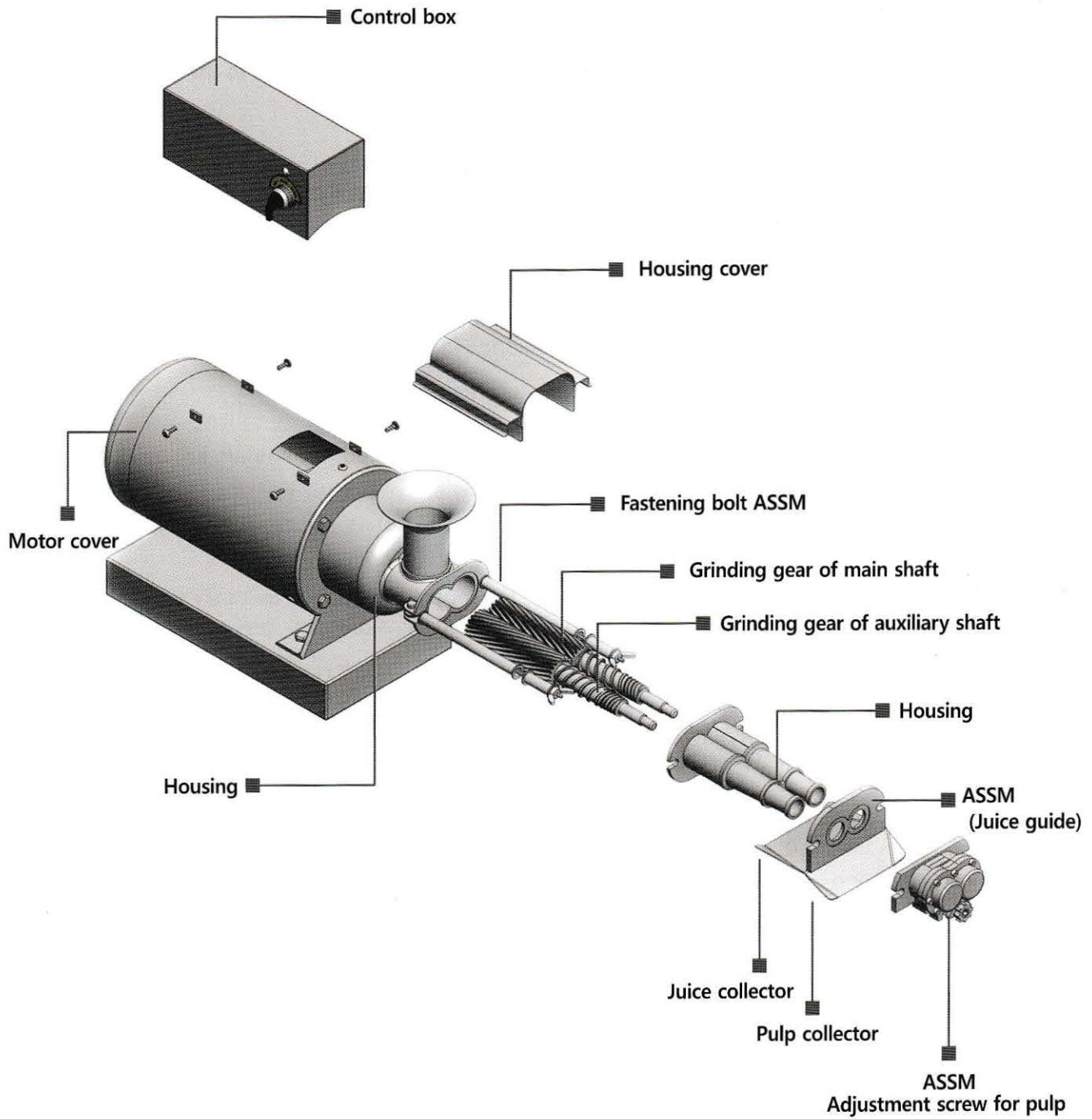


Be sure to install the grounding cable.
It will prevent electrical shock by inducing the current into ground in case of short circuit.

Name of Parts



Feature(Disassembly)



How to assemble

Please read instructions thoroughly before assembling the product.

※ Make sure the power cord off and turn control switch to STOP position before assembling the product.

- 1 Slide the grinding gear of main shaft slowly into the right hole and push the gear fully for assembling until it reaches spline gear groove by turning the grinding gear of main shaft to the left and right.
- 2 Assemble grinding gear into the left housing hole.
- 3 Check up/down position of housing(the first hole facing upward) for assembling.
- 4 Assemble juice guide into housing ring correctly.
- 5 Assemble pulp ejector.
Tip) Should adjustment screw for pulp is tightened too much, take caution as it may not be assembled with juice guide.
- 6 Insert fastening bolt into U groove correctly and tighten butterfly nut.
Tip) Then hold and lift up pulp ejector and tighten butterfly nut.
- 7 Assemble housing cover.

How to use

Please read instructions thoroughly before assembling the product.

- 1 Prepare materials for juice extraction by cleaning and cutting them in advance.
- 2 Plug in the power cord if the control switch is on STOP position use grounding outlet.
- 3 Turn the control switch to START position and then put the materials in once the twin gears are working.
 - * Do not idling–run for over 5 seconds.
- 4 Slice the materials of bulbous plants at proper size to put into hopper and touch with wood stick.
 - * Caution)Make certain to use wood stick supplied by our company and do not use metal bar, spoon, chopstick, knife etc.

Tip) Stem or leaf vegetable will get into grinding gear once it is put in.

Tip) Should the quantity of material put in is excessive than that of ejection, the machine stops automatically. Then, START the machine after activating REVERSE for a short while.

Tip) Should housing hole is clogged at the time of continuous juice extraction, capability of juice extraction is reduced and it causes damage to the product, so replace it with spare part for operating again.

Tip) Finish putting in material and STOP after doing idling–run for 1 to 2 minutes.

How to disassemble

Please read instructions thoroughly before assembling the product.

- 1 Operate idling-run for 1 to 2 minutes after finishing juice extraction. And turn the control switch to STOP position. Make sure the power cord off for safety.
- 2 Take out housing cover.
- 3 Unscrew butterfly nut at each side of pulp ejector and turn fastening bolt back to the both side.
- 4 Take out pulp ejector by pulling forward.
- 5 Take out juice guide by pulling forward.
- 6 Take out housing by pulling forward.

Tip) If the housing is not pulled out, plug in the power cord and turn the control switch to START position. The housing will be pushed out by operating twin gear for 1 to 2 second. And then turn control switch to STOP position and plug out the power cord. And take out the housing carefully.
- 7 Take out grinding gear by pulling forward one by one.

※Caution) grinding gear may be heavy and take caution for falling down when taking it out.

Cleaning

Please read instructions thoroughly before assembling the product.

※ Be sure to clean it every time you use Angel Juicer.

1 Spray water with hose into hopper and housing and clean with brush.

2 Lay grinding gear on wood or plastic plate to clean with brush.

Tip) Should it is laid down on rugged surface, the gear get damaged and may cause trouble in extracting juice.

3 Spray water into housing with high-pressure sprayer or clean in running water with brush after cleaning pulp in the housing with knife.

Tip) Clean thoroughly housing hole and check if there is any clog by looking it through light. Should housing hole is clogged excessively, capability of juice extraction is reduced and it causes destruction of housing.

4 Spray water and clean the pulp ejector.

※ Caution) Do not put into water or boil for long. It may cause damage to bearing of rotational shaft.

5 Dry each part completely not to get water spot after cleaning.

※ Do not spray water or put water into motor cover and control box for cleaning. Wipe it out by using a soft cloth.

Please check before requesting for repair service

Please check before requesting for repair service

Contact the customer service for A/S and other inquiry.

Please check model or number for requesting A/S or spare parts.

Q. Machine does not operate.

A. – Check if the power cord has been plugged in correctly.

– Check if the product has been assembled in sequence of assembling method. (refer to p.7)

Q. Machine stops while it is under normal operation.

A. – Check if there are too many materials put in at once.

– Put in materials slowly.

– Try the reverse button for a while then try operating again by pressing START.

※ Should any problem cannot be solved as the above mentioned method, please contact the manufacturer.

Specifications



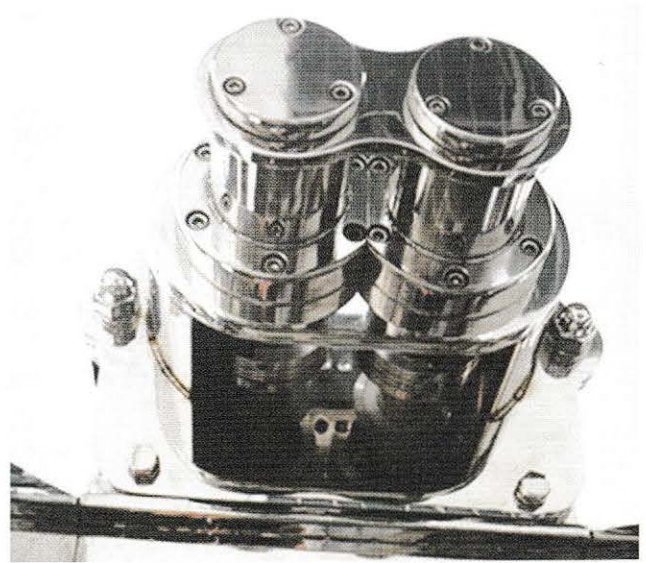
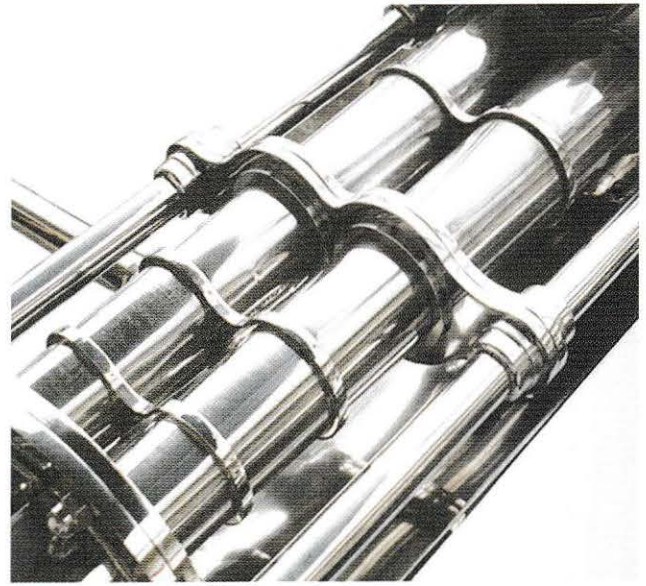
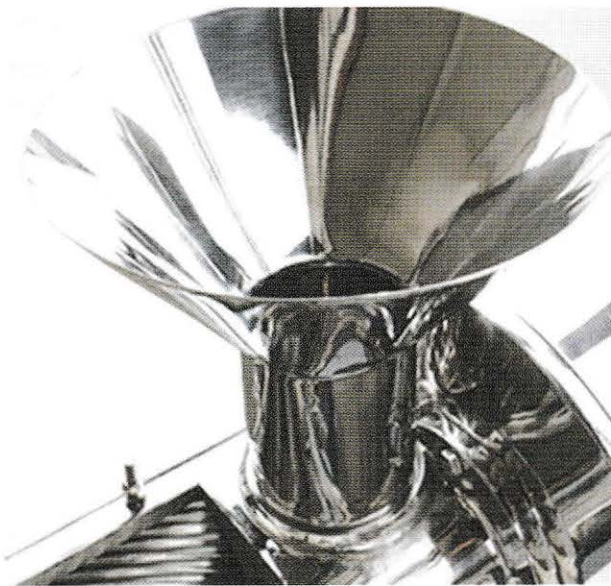
- Angel Commercial Juicer for commercial use is suitable for businesses, e.g. hotel kitchen, college food laboratory, fruit juice store, healthy juice store.

Model	Angel 20K
Type	twin gear multi-layer juice extraction
Product size	W850xD285xH440(mm)
weight	48kg
Length of twin gear	300mm
Length of screw	150mm
Hopper size	upper: 130mm / lowe: 58mm
Main material	Stainless steel 304 (18-8)
Motor	single phase 400W
Motor capacity	0.5 hp
RPM	85RPM
Operating method	Lever type
Juice extraction	20Kg put in once/hr(on the basis of carrot)
Juice extraction rate	fruit : about 80~90% vegetable : 70~80% in accordance with material type and season(water content)
Power	220V 50Hz

- Should any defect occurs from the product, it can be warranted for 1 year.
(However, the cost for repairing may be incurred due to the consumer's misuse)

“Designed for the best Hygiene and Durability
thanks to the Know-How accumulated for
the last 30 years”

[ALL 304 18-8 stainless]



Features of Angel Juicer for business use

Extraction Rate 85% Grinding and extraction Rate, minimize nutrition loss, cost saving.	Durable Highly hardened stainless gears, durable filters and sturdy stainless steel exterior design	Convenient Super easy to clean and maintain	Economical efficiency Minimized loss of fruit and vegetable, special motor use, energy saving and its durability.	Hygiene Super easy to disassemble and clean for using stainless Twin Gear squeezing filters.
---	---	---	---	--

The angel commercial juicer extraction rate

* Experiment done with Mini (Hotel Use) 20K and corresponding model from other company based on 10 hours of work.

	Method	Input Rate	Extraction Rate	Total Number of Packets	Revenue (1USD/Packet)
	Extract ▶ Pack	20kg of grapes per hour	91~93%	178ea	\$178
Other Juicers	Chop and Grind with Mixer ▶ Put in bags ▶ Squeeze with Centrifugal or ▶ Pack	20kg of grapes per hour	50~57%	104ea	\$104

You can make more profit with the angel juicer in comparison with other juicers under same condition.

$$\$178 - \$104 = \$74$$

The money you can save in a day (10 hours) (\$74 X 10hours)

1 Day : \$740

MONTH : \$22,200

Nutrition analysis graph on Juice (Angelica 700ml)

Angel juicer can produce up to 5 times more magnesium and 17 times more calcium than other juicers.

* KAFRI

July 22nd 2009

(Korea Advanced Food Research Institute)

